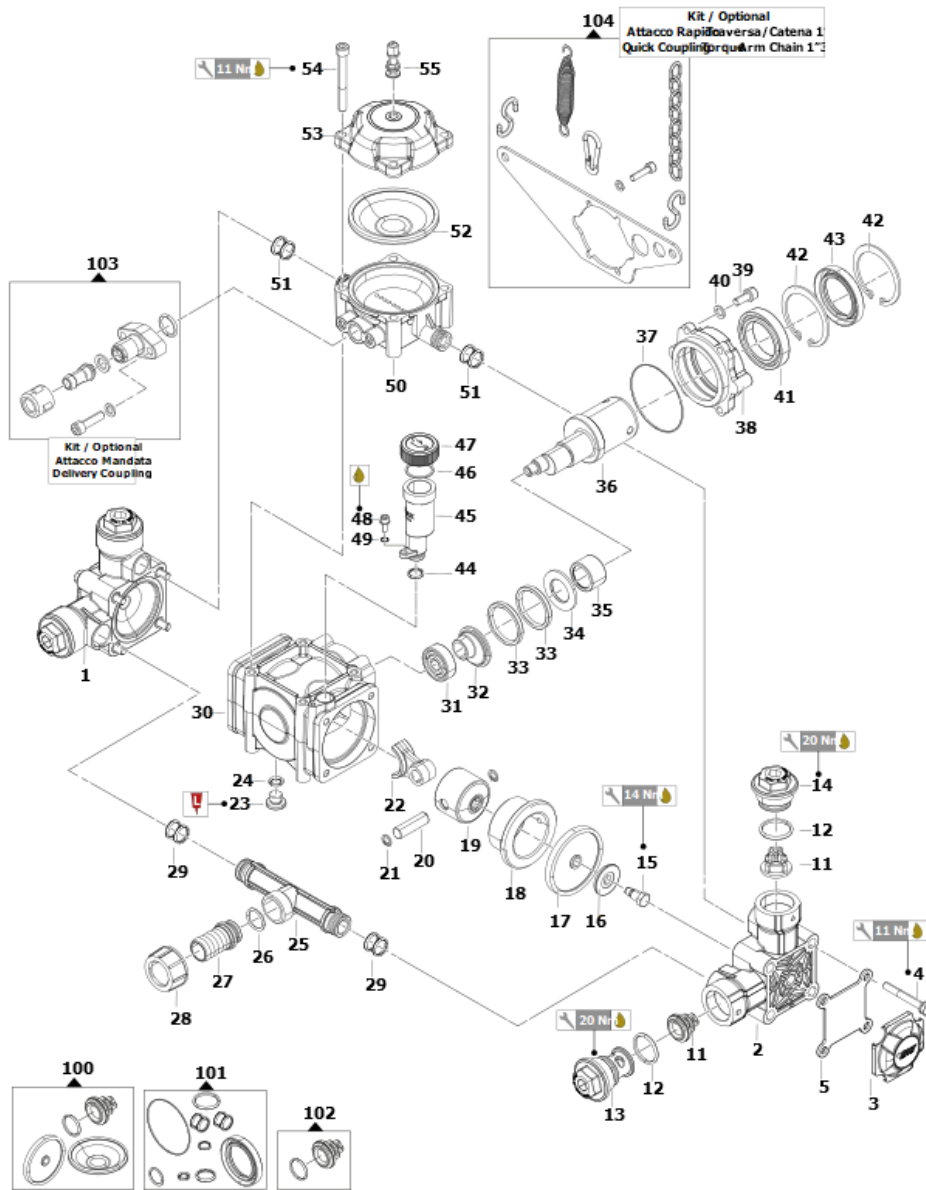


30078-00007: BPX 25 AENP 13/8 FEMM.PA6 (SERIE)

Validity date: 02/12/2024



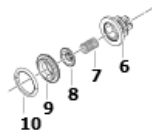
Pos.	Old code	Code	Description	Quantity
1	3218061700	00027-00580	TE DX BPX25 PA6	1
2	3218061800	00027-00581	TE SX BPX25 PA6	1
3	0460007700	00039-00773	CALT TE BPX 25 PA6	1
4	3607024100	00049-00187	VTE M 8X 65 UNI5737-8.8-ZB	1
5	2403013400A	00071-05665	PIASTRA FISS TE BPX 25	1
11		10002-09483	GVAM BPX25 PA6	1
12	1210007600	00005-00451	GUOR 3,53X 28,17 VT	1
13	3200027600	00008-00251	TP AS BPX 25 PA6	1
14	3200027700	00008-00252	TP MAND BPX 25 PA6	1
15	3605002700	00050-00023	VS TEN MEMBR M8 CH13	1
16	0602000800	00019-00004	DISCO TEN MEMBR	1
17	1800002000	00006-00016	MEMBR POMPA D74	1
18	0400012100	00021-00150	CAMICIA 48X2,4 BPX 25	1
19	2409004100A	00016-00234	PIS D48	1
20	3011001300	00053-00266	SPINOTTO D12X40	1



Pos.	Old code	Code	Description	Quantity
21	3020002000	00002-00073	SEEGER I 12 C72	1
22	0205005900	00061-00076	BI 2 SET MC20/20	1
23	3200001000	00008-00012	TP TCEI CH6 1/4GAS OT NICHELATO	1
24	1210004400	00005-00419	GUOR 2,62X 9,92	1
25	3212005600	00007-00153	TAS BPX25 PA6	1
26	1210006400	00005-00440	GUOR 2,62X 20,24 VT	1
27	2800014100	00009-00203	RPGAD D25 MPL X GAL G1	1
28	1200006200	00036-00118	GAL G1F X RPG D25	1
29	1210048100	00005-00749	GUOR 3,0 X 19 VT	1
30	0403057400	00041-00374	CRT BPX 25 PSF	1
31	0438016000A	00045-00491	CUSC 1CSF 12X 37X12-6301 NSK	1
32	0601087400	00035-00506	DIST CUSC BPX 25	1
33	0010001200	00001-00953	ANL TB 47X39X5	1
34	2813008400	00001-01345	RON TEN BI D44XD25,2X3	1
35	0437002300	00045-00055	CRI 25X32X20 HK 2520	1
36	0001109500	00015-00629	AE BPX 25 ECC=6.3 1-3/8 FEMM.	1
37	1210005300	00005-00430	GUOR 1,78X 72,75	1
38	3016104300	00022-00616	SUP X ALB. 13/8 F BPX 25	1
39	3609000200	00049-00999	VITE TCEI M8X25 UNI 5931 ZNT	1
40	2811000400	00051-00054	RT 8,4X14X1,6 UNI6592/R40-ZB	1
41	0438016900A	00045-00489	CUSC 1CSF 50X 72X12-61910 NSK	1
42	3020000700	00002-00062	SEEGER I 72 C72	1
43	0019013900	00003-00262	ANL TEN 50x72x8 SINGOLO BA NBR	1
44	1210005700	00005-00434	GUOR 2,62X 10,78 NBR 70SH	1
45	0421003800	00010-00169	COMP VOL BPX 25 ALLUMINIO	1
46	1210009600	00005-00470	GUOR 3,53X 21,82	1
47	0402067200	00039-00650	TP COMP VOL BPX 25	1
48	3609029400	00049-00531	VTCEI M 5X 12 UNI5931-8.8 ZB	1
49	2811003700	00051-00063	RT 5,3X10X1 UNI6592-R40	1
50	0002004600	00010-00047	AC PR INF BPX 25 PA6	1
51	1210086700	00005-02356	GUOR 3,0 X 15,5 VT 70 - 75 SH	1
52	1800003300	00006-00028	MEMBR AC PR	1
53	0003004700	00010-00168	ACC SUP BPX 25	1
54	3609003900	00049-00293	VTCEI M 8X 70 UNI5893-8.8 ZB DIN912	1
55	3610000800	00023-00131	VA ARIA CON GUARNIZIONE	1
100	5026044100	10001-13096	K RICAMBI MANUT ORD NBR PA6 BPX 25	1
101	5019082900	10001-12816	K GU POMPA BPX 25 13/8	1
102	5025013200	10001-11558	K VAM BPX 25 PA6	1
103	5004016600	10001-11556	K MAND BPX 25	1
104	5002003000	10001-10606	K AR 13/8 TV CAT BPX 25	1

10002-09483: GVAM BPX25 PA6

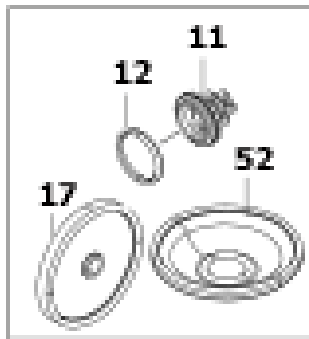
Validity date: 02/12/2024



Pos.	Old code	Code	Description	Quantity
6	1205002900A	00024-00337	GAB VAM (RILSAN)	1
7	1802001500	00030-00010	MO DE11 X17-FILO D0,8	1
8	3604002300A	00024-00254	VA VAM	1
9	3009016000	00024-00133	SE VAM P36 AISI 316-L	1
10	1210011000	00005-00484	GUOR 3,53X 24,99	1

10001-13096: K RICAMBI MANUT ORD NBR PA6 BPX 25

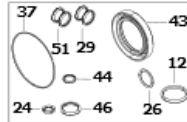
Validity date: 02/12/2024



Pos.	Old code	Code	Description	Quantity
11		10002-09483	GVAM BPX25 PA6	1
12	1210007600	00005-00451	GUOR 3,53X 28,17 VT	4
17	1800002000	00006-00016	MEMBR POMPA D74	1
52	1800003300	00006-00028	MEMBR AC PR	1

10001-12816: K GU POMPA BPX 25 13/8

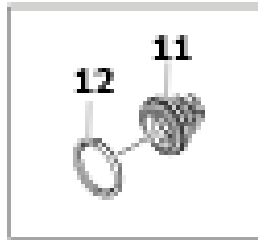
Validity date: 02/12/2024



Pos.	Old code	Code	Description	Quantity
12	1210007600	00005-00451	GUOR 3,53X 28,17 VT	1
24	1210004400	00005-00419	GUOR 2,62X 9,92	1
26	1210006400	00005-00440	GUOR 2,62X 20,24 VT	1
29	1210048100	00005-00749	GUOR 3,0 X 19 VT	1
37	1210005300	00005-00430	GUOR 1,78X 72,75	1
43	0019013900	00003-00262	ANL TEN 50x72x8 SINGOLO BA NBR	1
44	1210005700	00005-00434	GUOR 2,62X 10,78 NBR 70SH	1
46	1210009600	00005-00470	GUOR 3,53X 21,82	1
51	1210086700	00005-02356	GUOR 3,0 X 15,5 VT 70 - 75 SH	1

10001-11558: K VAM BPX 25 PA6

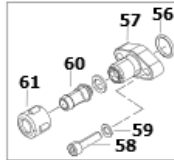
Validity date: 02/12/2024



Pos.	Old code	Code	Description	Quantity
11		10002-09483	GVAM BPX25 PA6	1
12	1210007600	00005-00451	GUOR 3,53X 28,17 VT	4

10001-11556: K MAND BPX 25

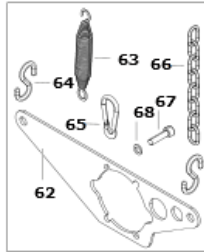
Validity date: 02/12/2024



Pos.	Old code	Code	Description	Quantity
56	1210048100	00005-00749	GUOR 3,0 X 19 VT	1
57	2803075900	00009-01116	RAC COLLEGAMENTO POMPA/VA REG BPX25	1
58	3609000600	00049-00261	VTCEI M 8X 30 UNI5931-8.8 ZB	1
59	2811000400	00051-00054	RT 8,4X14X1,6 UNI6592/R40-ZB	1
60	2802002000	00009-00350	RPGM 10X13	1
61	1200003200	00036-00092	GAL 1/2GAS D15	1

10001-10606: K AR 13/8 TV CAT BPX 25

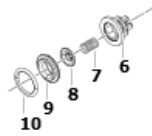
Validity date: 02/12/2024



Pos.	Old code	Code	Description	Quantity
62	3221000400	00071-04876	TV AR BPX 25	1
63	1802004000	00030-00019	MO+GAN-DE20X100-FILO D2,5	1
64	1202000600	00046-00006	GAN TY S D6	1
65	1202000900	00046-00010	GAN AU A R HODARA 60	1
66	0465000100	00078-00001	CAT ANL MM500	1
67	3609000600	00049-00261	VTCEI M 8X 30 UNI5931-8.8 ZB	1
68	2811000400	00051-00054	RT 8,4X14X1,6 UNI6592/R40-ZB	4

10002-09483: GVAM BPX25 PA6

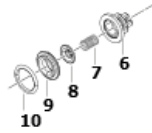
Validity date: 02/12/2024



Pos.	Old code	Code	Description	Quantity
6	1205002900A	00024-00337	GAB VAM (RILSAN)	1
7	1802001500	00030-00010	MO DE11 X17-FILO D0,8	1
8	3604002300A	00024-00254	VA VAM	1
9	3009016000	00024-00133	SE VAM P36 AISI 316-L	1
10	1210011000	00005-00484	GUOR 3,53X 24,99	1

10002-09483: GVAM BPX25 PA6

Validity date: 02/12/2024



Pos.	Old code	Code	Description	Quantity
6	1205002900A	00024-00337	GAB VAM (RILSAN)	1
7	1802001500	00030-00010	MO DE11 X17-FILO D0,8	1
8	3604002300A	00024-00254	VA VAM	1
9	3009016000	00024-00133	SE VAM P36 AISI 316-L	1
10	1210011000	00005-00484	GUOR 3,53X 24,99	1