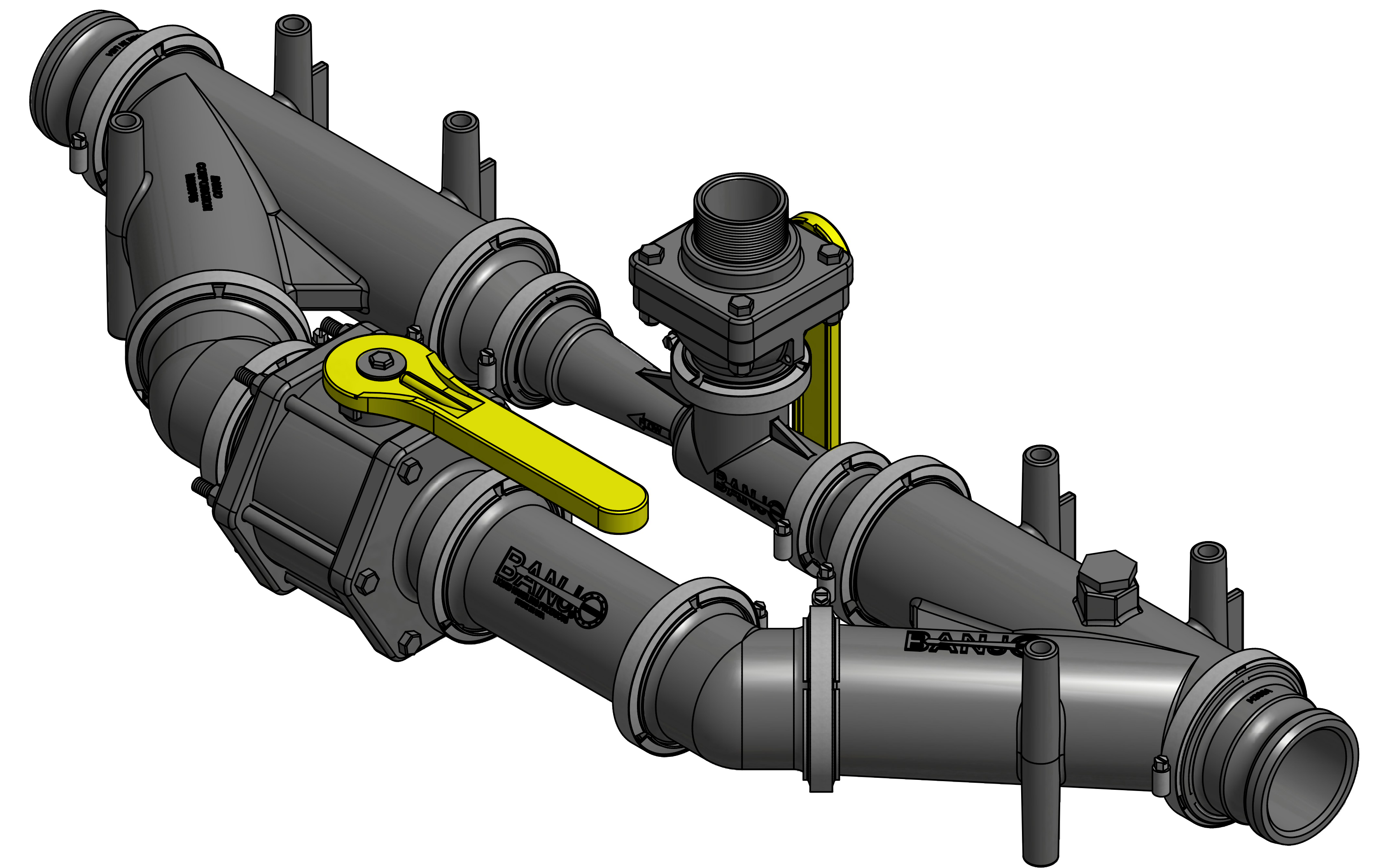


Assembled as shown except following items:

- 1 - PLUG075
- 1 - FC220
- 1 - M221G
- 1 - MVSMT220FP
- 2 - M300A
- 2 - FC300
- 2 - M301G

Parts List			
ITEM	QTY	PART NUMBER	DESCRIPTION
1	1	M300YG45	3" Manifold Wye 45 w/ 3/4" Gage Port
2	1	M300Y45	3" Manifold Wye 45
3	1	M300CPG7	3" Manifold Coupling x 7"
4	2	M300CPG45	3" Full Port 45 Deg CPLG
5	2	M300220CPG	M300 x M220 Coupling
6	1	PLUG075	3/4" Pipe Plug
7	1	MV301CF	3" Manifold Valve
8	9	FC300	3" Flange Clamp
9	3	FC220	2" FP Flange Clamp
10	1	MHV220A	2" FP VENTURI ASSY
11	1	MVSMT220FP	2" Manifold flange x 2" Male Pipe Thread Valve
12	3	M221G	2" FP Manifold Gasket w/ Rib
13	9	M301G	3" Manifold Gasket w/ Rib
14	2	M300A	3" MALE ADAPTER X 3" MNFLD, MACHINED



**BANJO CORPORATION**  
 150 BANJO DRIVE, CRAWFORDSVILLE, IN 47933  
 WEB SITE: WWW.BANJOCORP.COM  
 E-MAIL: SALES1@BANJOCORP.COM

THIS DRAWING AND ALL INFORMATION CONTAINED THEREON ARE THE EXCLUSIVE PROPERTY OF BANJO CORPORATION.

UNLESS SPECIFICALLY NOTED, THIS DRAWING AND ITEMS SHOWN ON THIS DRAWING ARE SUBJECT TO CHANGE AT ANY TIME.

DESCRIPTION  
**3" Inductor Assembly A x A**  
 PART NUMBER  
**MIS300AA**