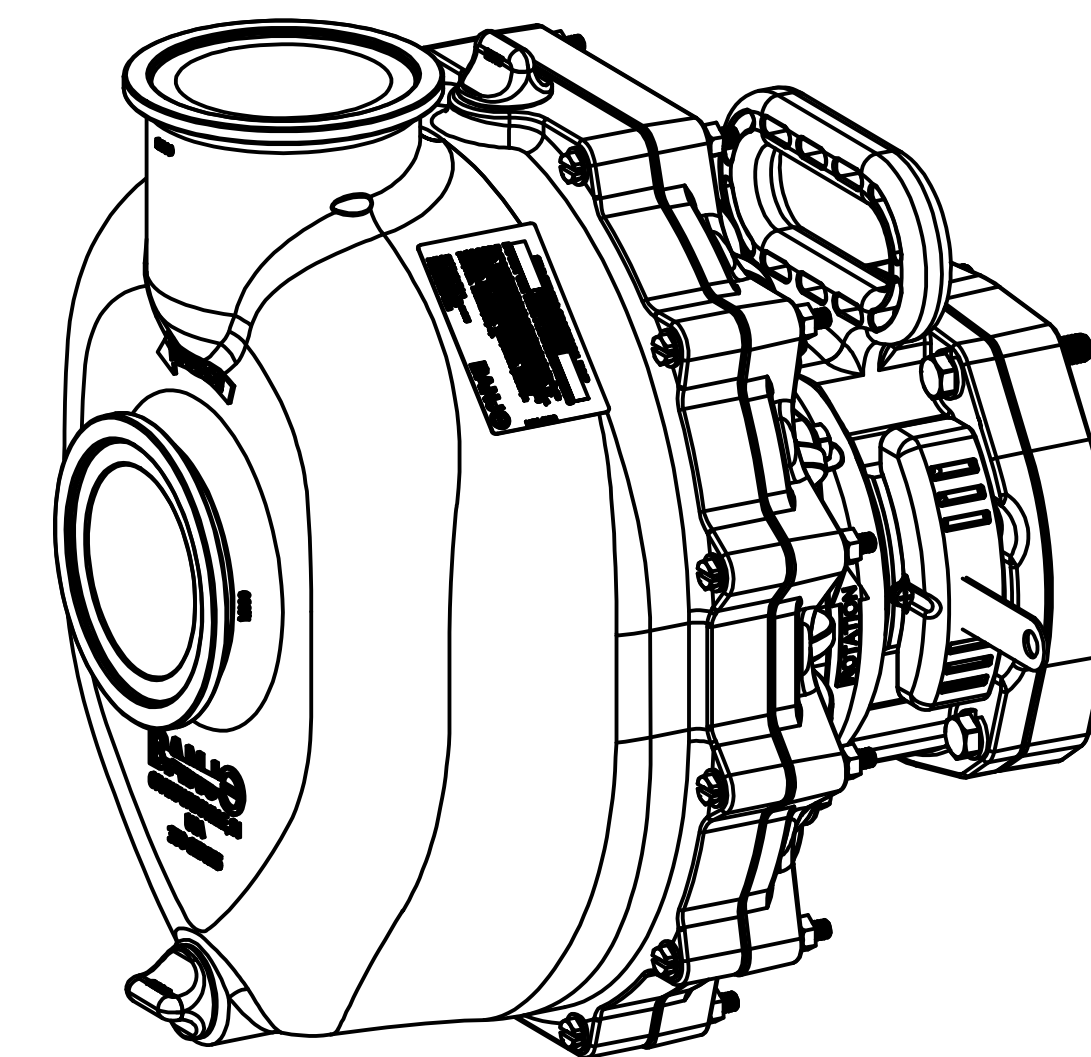
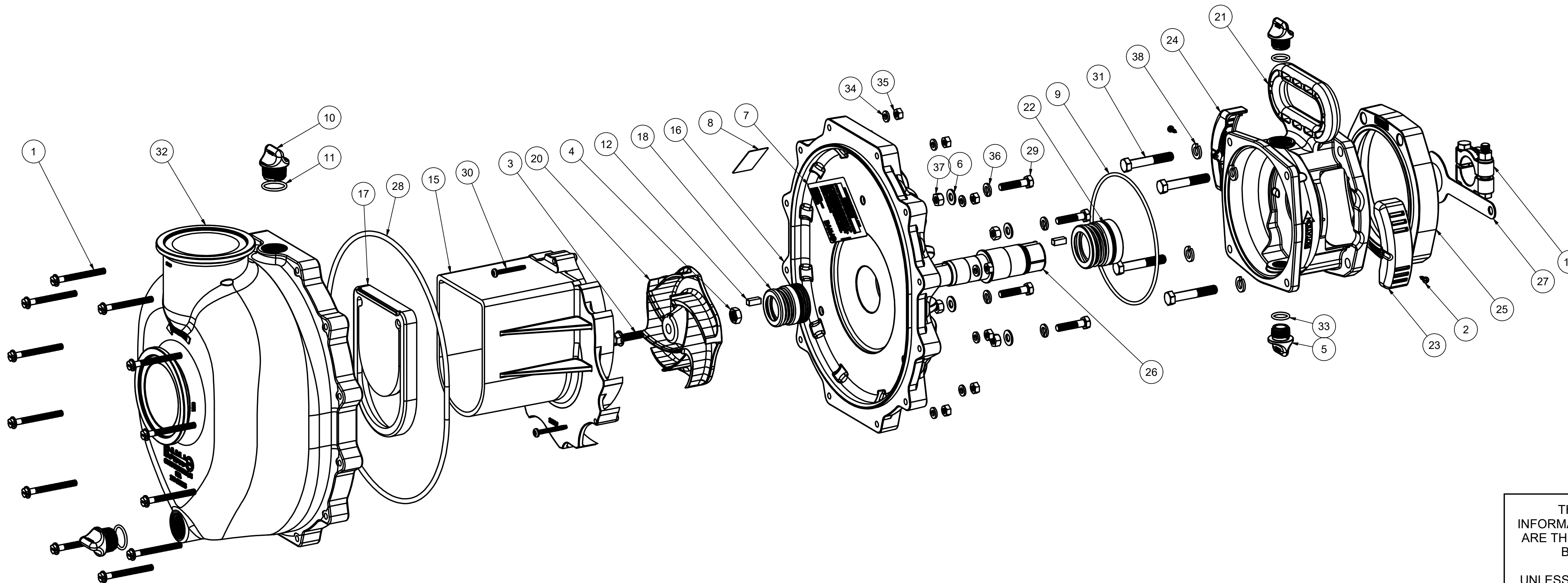


Parts List				
ITEM	QTY	PART NUMBER	DESCRIPTION	
1	12	12720	1/4-20 X 2 1/2" SL IND HEX WASHER HEAD SCREW	
2	2	12725	#6 X 1/2" PPH SMS	
3	1	12765A	5/16-24 X 1 1/8" HFS	
4	1	12775A	7/16-14 HEX NUT	
5	2	12777	1/2" DRAIN PLUG	
6	8 (4 SHOWN)	12901	5/16" FLAT WASHER	
7	1	12910	PUMP WARNING LABEL	
8	1	12911D	PUMP PSI DECAL	
9	1	13719	AS568A -256 O-RING, EPDM, BLACK	
10	2	13777	3/4" DRAIN PLUG, MOLDED	
11	2	13778	AS568A -119 O-RING, EPDM, BLACK	
12	2	16901SS	1/4" SQ. X 5/8" KEY 18-8 SS	
13	4 (N/S)	17034	5/16-18 X 1-1/2" HHCS	
14	1	18029	CLAMP	
15	1	35002	M350 DIFFUSER	
16	1	35004	M350 REAR BRACKET	
17	1	35005	3" WET SEAL POLY PUMP CHECK VALVE	
18	1	35013E	1.125" MECHANICAL SEAL, EPDM, INDIV BOX	
19	2 (N/S)	35033	Z-RAIL FOR M350PH13W	
20	1	35073	M350 5-VANE IMPELLER	
21	1	35201	M350 WET SEAL RESERVOIR	
22	1	35213E	1.375" MECHANICAL SEAL, EPDM, INDIV BOX	
23	1	35246GL	LEFT SHAFT GUARD FOR M350P	
24	1	35246GR	RIGHT SHAFT GUARD FOR M350P	
26	1	35255A	3" WET SEAL POLY PUMP SHAFT ADAPTER FOR BEM15-100	
27	1	35901	350 PUMP SEAL SPACING TOOL	
28	1	A380E	AS568 #380 EPDM O-RING	
30	3	B1014150TS	#10 X 1 1/2 THREAD FORMING SCREW, 18-8 SS	
32	1	M35012	M350 MANIFOLD BODY	
33	2	UV15163	AS568A -114 O-RING, EPDM, BLACK	
34	12	V07018	1/4" LOCKWASHER	
35	12	V07019	1/4"-20 S.S. HEX NUT	
36	8 (4 SHOWN)	V10118	5/16" LOCKWASHER	
37	8 (4 SHOWN)	V10119	5/16"-18 SS NUT	
38	4	V20018	3/8" LOCKWASHER	
29	4	B0516138	5/16-18 X 1 3/8" HHCS	
31	4	BF207	3/8-16 X 2 1/4" HHCS	
25	1	35248	M350 ENGINE SPACER	



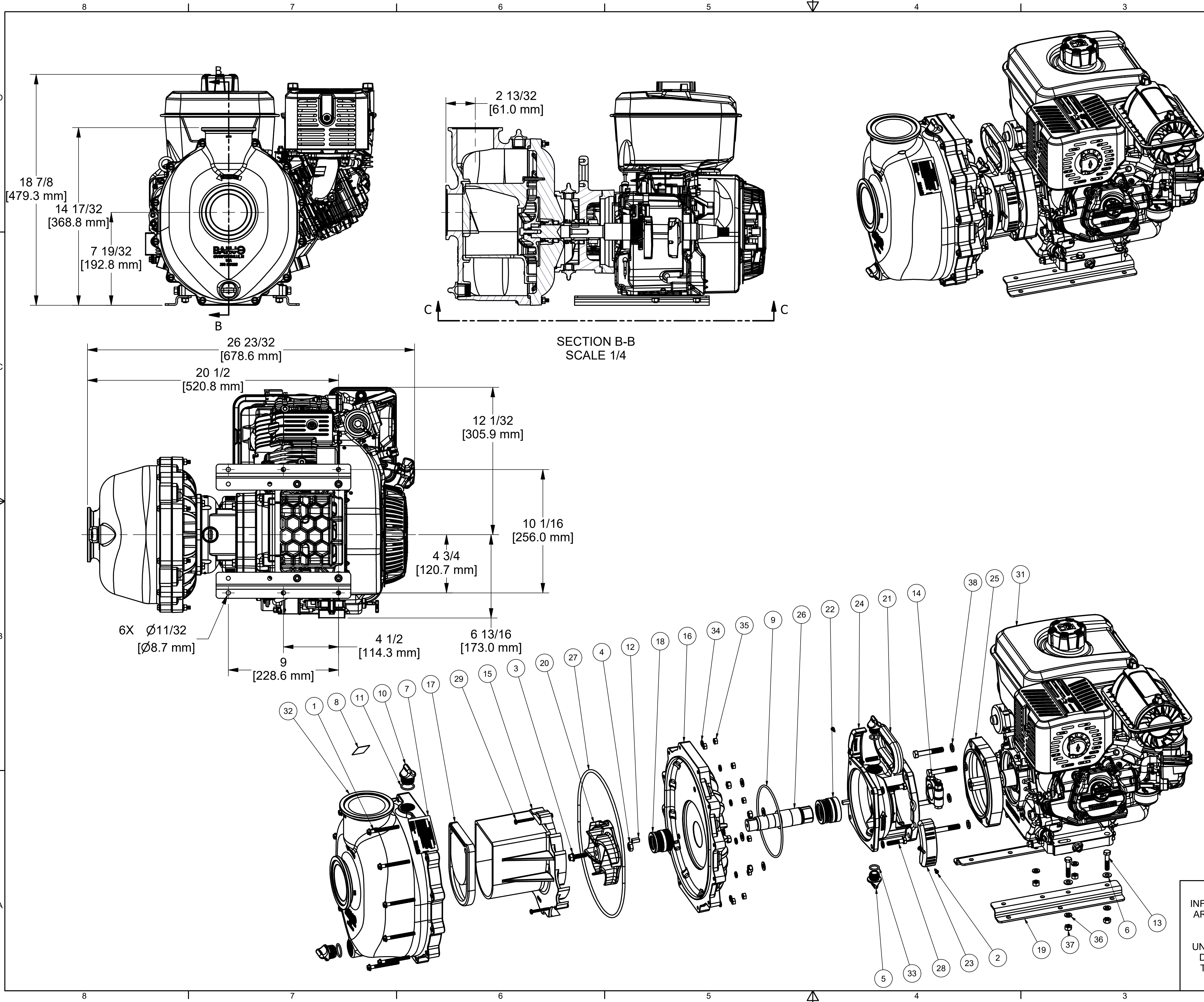
THIS DRAWING AND ALL INFORMATION CONTAINED THEREON ARE THE EXCLUSIVE PROPERTY OF BANJO CORPORATION.

UNLESS SPECIFICALLY NOTED, THIS DRAWING AND ITEMS SHOWN ON THIS DRAWING ARE SUBJECT TO CHANGE AT ANY TIME.

BANJO CORPORATION
 150 BANJO DRIVE, CRAWFORDSVILLE, IN 47933
 WEB SITE: WWW.BANJOCCORP.COM
 E-MAIL: BANJOSALES@DEXCORP.COM

DESCRIPTION
 3" WET SEAL POLY PUMP ONLY

PART NUMBER
M350POW



Parts List			
ITEM	QTY	PART NUMBER	DESCRIPTION
1	12	12720	1/4-20 X 2 1/2" SL IND HEX WASHER HEAD SCREW
2	2	12725	#6 X 1/2" PPH SMS
3	1	12765A	5/16-24 X 1 1/8" HFS
4	1	12775A	7/16-14 HEX NUT
5	2	12777	1/2" DRAIN PLUG
6	8	12901	5/16" FLAT WASHER
7	1	12910	PUMP WARNING LABEL
8	1	12911D	PUMP PSI DECAL
9	1	13719	AS568A -256 O-RING, EPDM, BLACK
10	2	13777	3/4" DRAIN PLUG, MOLDED
11	2	13778	AS568A -119 O-RING, EPDM, BLACK
12	2	16901	1/4" SQ. X 3/4" KEY
13	4	17034	5/16-18 X 1-1/2" HHCS
14	1	18029	CLAMP
15	1	35002	M350 DIFFUSER
16	1	35004	M350 REAR BRACKET
17	1	35005	3" WET SEAL POLY PUMP CHECK VALVE
18	1	35013E	1.125" MECHANICAL SEAL, EPDM, INDIV BOX
19	2	35033	Z-RAIL FOR M350PH13W
20	1	35073	M350 5-VANE IMPELLER
21	1	35201	M350 WET SEAL RESERVOIR
22	1	35213E	1.375" MECHANICAL SEAL, EPDM, INDIV BOX
23	1	35246GL	LEFT SHAFT GUARD FOR M350P
24	1	35246GR	RIGHT SHAFT GUARD FOR M350P
25	1	35248	
26	1	35255A	3" WET SEAL POLY PUMP SHAFT ADAPTER FOR BEM15-100
27	1	A380E	AS568 #380 EPDM O-RING
28	4	B0516138	5/16-18 X 1 3/8" HHCS
29	3	B1014150TS	#10 X 1 1/2" THREAD FORMING SCREW, 18-8 SS
30	4	BF207	3/8-16 X 2 1/4" HHCS
31	1	E14VAN	BRIGGS VANGUARD 400 ENGINE
32	1	M35012	M350 MANIFOLD BODY
33	2	UV15163	AS568A -114 O-RING, EPDM, BLACK
34	12	V07018	1/4" LOCKWASHER
35	12	V07019	1/4"-20 S.S. HEX NUT
36	8	V10118	5/16" LOCKWASHER
37	8	V10119	5/16"-18 SS NUT
38	4	V20018	3/8" LOCKWASHER



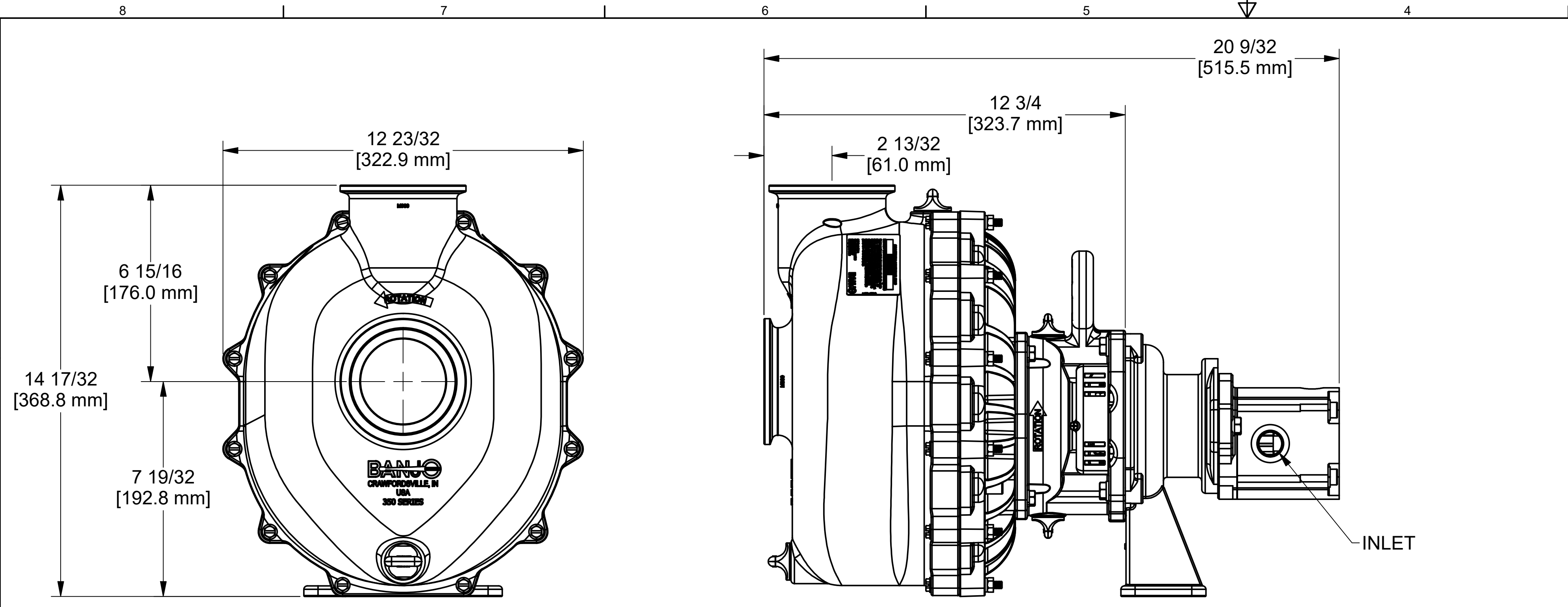
THIS DRAWING AND ALL INFORMATION CONTAINED THEREON ARE THE EXCLUSIVE PROPERTY OF BANJO CORPORATION.

UNLESS SPECIFICALLY NOTED, THIS DRAWING AND ITEMS SHOWN ON THIS DRAWING ARE SUBJECT TO CHANGE AT ANY TIME.

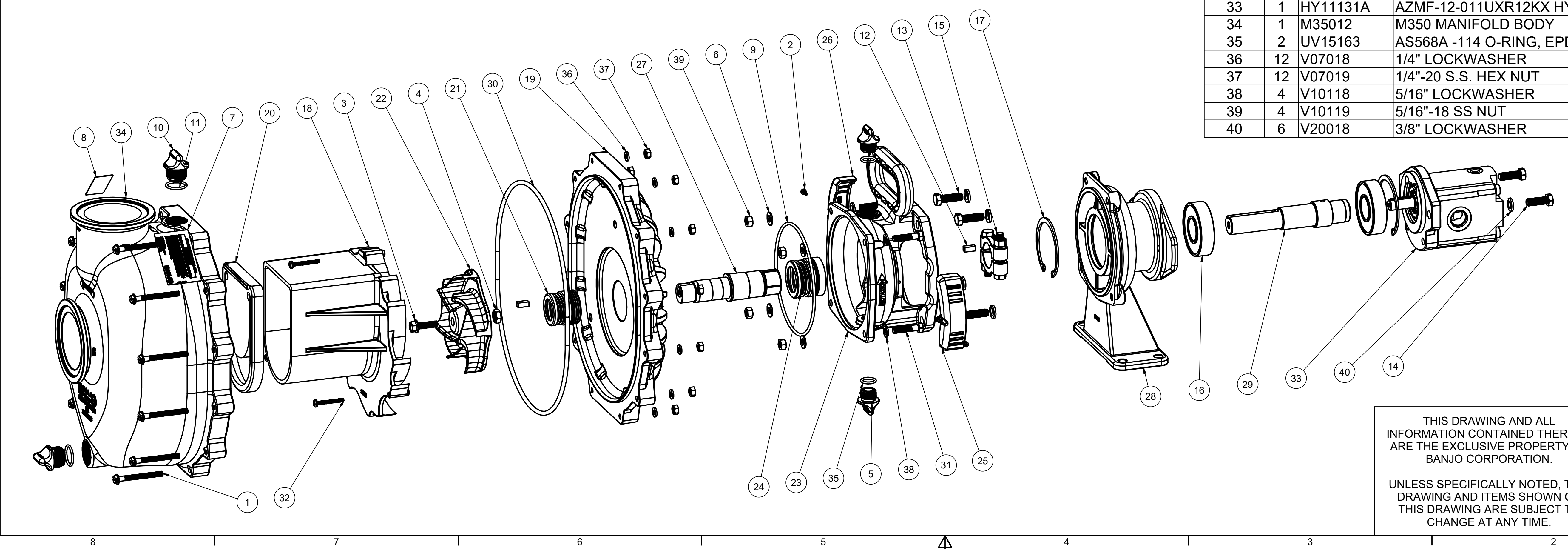
BANJO CORPORATION
 150 BANJO DRIVE, CRAWFORDSVILLE, IN 47933
 WEB SITE: WWW.BANJO.CORP.COM
 E-MAIL: BANJOSALES@DEXCORP.COM

DESCRIPTION
 3" WET SEAL POLY PUMP 14HP VAN

PART NUMBER
 M350PVAN14W



Parts List			
ITEM	QTY	PART NUMBER	DESCRIPTION
1	12	12720	1/4-20 X 2 1/2" SL IND HEX WASHER HEAD SCREW
2	2	12725	#6 X 1/2" PPH SMS
3	1	12765A	5/16-24 X 1 1/8" HFS
4	1	12775A	7/16-14 HEX NUT
5	2	12777	1/2" DRAIN PLUG
6	4	12901	5/16" FLAT WASHER
7	1	12910	PUMP WARNING LABEL
8	1	12911D	PUMP PSI DECAL
9	1	13719	AS568A -256 O-RING, EPDM, BLACK
10	2	13777	3/4" DRAIN PLUG, MOLDED
11	2	13778	AS568A -119 O-RING, EPDM, BLACK
12	2	16901SS	1/4" SQ. X 5/8" KEY 18-8 SS
13	4	17704	3/8-16 X 1 1/4" HHCS
14	2	18010SS	3/8-16 X 1 1/8" HHCS
15	1	18029	CLAMP
16	2	18502	BEARING PEDESTAL BEARING
17	2	18506	RETAINING RING
18	1	35002	M350 DIFFUSER
19	1	35004	M350 REAR BRACKET
20	1	35005	3" WET SEAL POLY PUMP CHECK VALVE
21	1	35013E	1.125" MECHANICAL SEAL, EPDM, INDIV BOX
22	1	35073	M350 5-VANE IMPELLER
23	1	35201	M350 WET SEAL RESERVOIR
24	1	35213E	1.375" MECHANICAL SEAL, EPDM, INDIV BOX
25	1	35246GL	LEFT SHAFT GUARD FOR M350P
26	1	35246GR	RIGHT SHAFT GUARD FOR M350P
27	1	35255	3" WET SEAL POLY PUMP SHAFT ADAPTER FOR E13H
28	1	35882	BEARING PEDESTAL HOUSING, SAE 2-BOLT "A"
29	1	35883C	BEARING PEDESTAL SHAFT FOR HYDRAULIC MOTOR, SAE 2-BOLT "A"
30	1	A380E	AS568 #380 EPDM O-RING
31	4	B0516138	5/16-18 X 1 3/8" HHCS
32	3	B1014150TS	#10 X 1 1/2" THREAD FORMING SCREW, 18-8 SS
33	1	HY11131A	AZMF-12-011UXR12KX HYDRAULIC MOTOR
34	1	M35012	M350 MANIFOLD BODY
35	2	UV15163	AS568A -114 O-RING, EPDM, BLACK
36	12	V07018	1/4" LOCKWASHER
37	12	V07019	1/4"-20 S.S. HEX NUT
38	4	V10118	5/16" LOCKWASHER
39	4	V10119	5/16"-18 SS NUT
40	6	V20018	3/8" LOCKWASHER





BANJO
CORPORATION

BANJO CORPORATION
 150 BANJO DRIVE, CRAWFORDSVILLE, IN 47933
 WEB SITE: WWW.BANJO.CORP.COM
 E-MAIL: BANJOSALES@DEXCORP.COM

THIS DRAWING AND ALL INFORMATION CONTAINED THEREON ARE THE EXCLUSIVE PROPERTY OF BANJO CORPORATION. UNLESS SPECIFICALLY NOTED, THIS DRAWING AND ITEMS SHOWN ON THIS DRAWING ARE SUBJECT TO CHANGE AT ANY TIME.	DESCRIPTION 3" WET SEAL POLY PMP HYD MTR PART NUMBER M350PHYW
---	---