

VERSAILLES

SUBMERSIBLE PUMPS FOR FOUNTAINS AND WATER FEATURES

The VERSAILLES pumps have been designed for fountains, water features and waterfalls in water gardens.

Applications

- For fountains, water features, waterfalls in water gardens

Usage limitations

- Type of liquid: clear water, free of solids
- Maximum liquid temperature 40°C
- Maximum submersion under the water level 7m
- Free clearance: 1,5mm.
For water features with a less clearance insert the sponge filter (optional) in the hydraulics

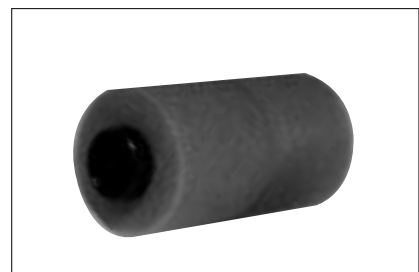


Motor

- Dry motor with stainless steel casing
- Level of protection IP68
- Class F insulation
- Single phase power supply with capacitor permanently activated
- Thermal protection built into the motor winding
- Completely insulated cable connection chamber
- Self-lubricating ball bearings
- Speed of rotation 2850 rpm
- Suitable for continuous use

Accessories (optional)

- Vulcano: adjustable water feature with three level jets
- Gaiser: adjustable water feature with a single foamy jet
- Campana: adjustable bell-shaped water feature
- Filters: sponge to be used for water features with clearances under 1.5 mm

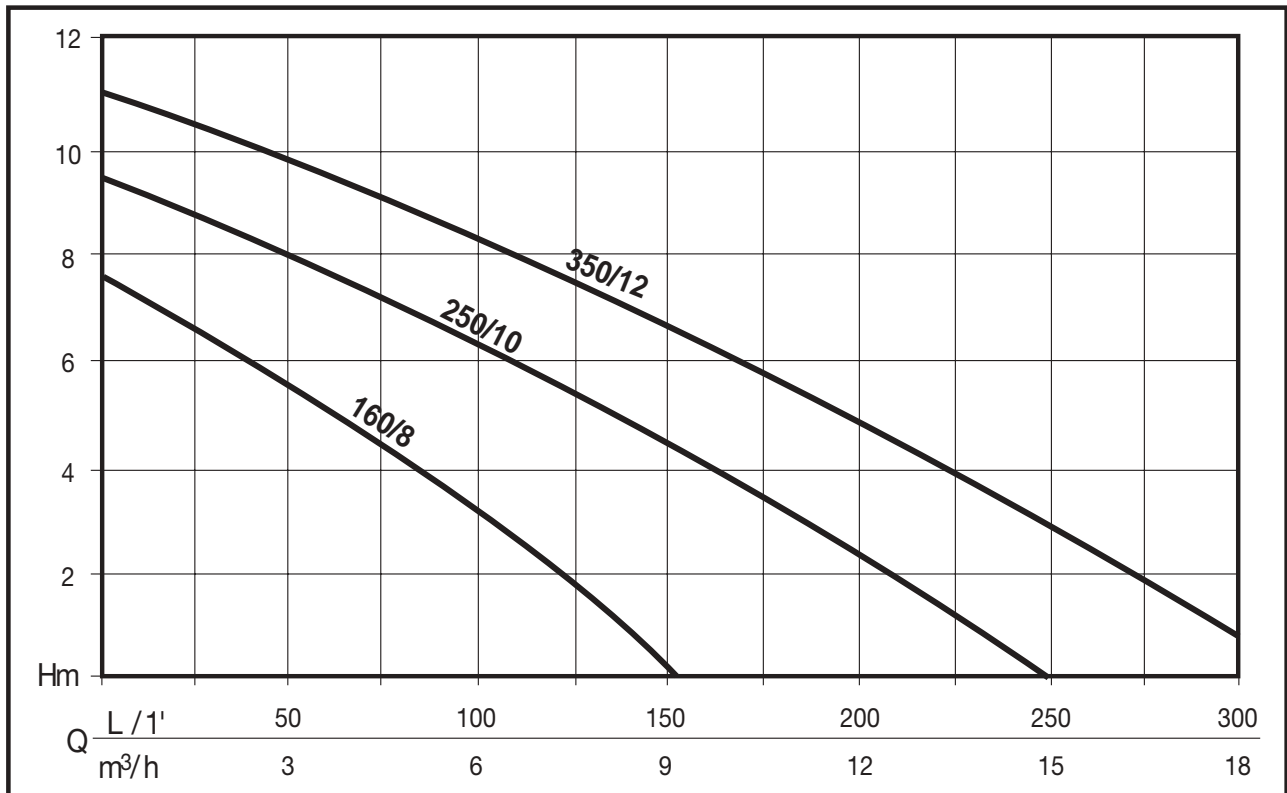


SPARE FILTER

DESIGN FEATURES

Component	Material
Suction grid	X 5 CrNi 1810 (AISI 304) Stainless steel
Base	X 5 CrNi 1810 (AISI 304) Stainless steel
Pump casing	X 5 CrNi 1810 (AISI 304) Stainless steel
Impeller	X 5 CrNi 1810 (AISI 304) Die cast stainless steel
Power cable	10 m H07 RN-F With plug
Seal	Fixed double NBR 70 rubber seal with special sand guard V-ring
Motor shaft	X 12 CrS 13 (AISI 416) With ceramic facing at the points of wear
1" F reducer	Plastic

TABLE OF HYDRAULIC PERFORMANCE



PUMP PERFORMANCE

CODE	MODEL	Nominal power		Absorbed power		VOLTAGE	Amp.	μF.	Q l/1'	Diameter and height of water features in cm		
		HP	kW	HP	kW					VULCANO	GAISER	CAMPANA
N2121010	VERSAILLES 160/8	0,5	0,37	0,6	0,45	1 - 220 ÷ 240 V	2,2	8	Discharge head in meters	Ø 180 - H 360	Ø 20 - H 110	Ø 90 - H 45
N2121020	VERSAILLES 250/10	0,75	0,55	1,2	0,9	1 - 220 ÷ 240 V	4,5	10		Ø 200 - H 420	Ø 30 - H 180	Ø 95 - H 45
N2121030	VERSAILLES 350/12	1,1	0,8	1,6	1,2	1 - 220 ÷ 240 V	5,1	16		Ø 200 - H 480	Ø 50 - H 230	Ø 100 - H 45
ZB401690	VULCANO											
ZB401700	GAISER											
ZB401710	CAMPANA											
ZB401720	FILTER 1 FOR MOD. 80/7 - 160/8											
ZB401730	FILTER 2 FOR MOD. 250/10 - 350/12											

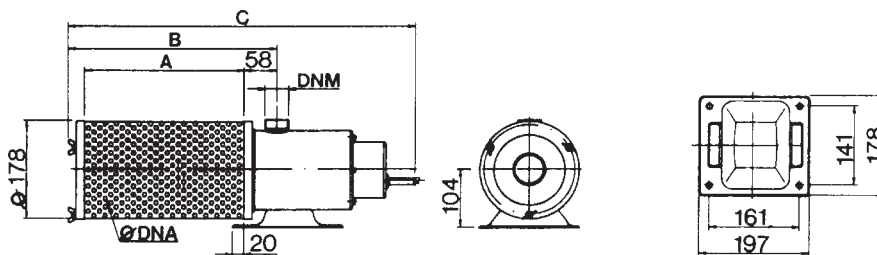
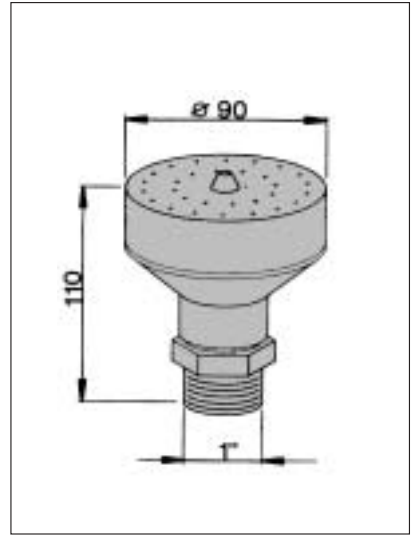


TABLE OF SIZES AND WEIGHTS

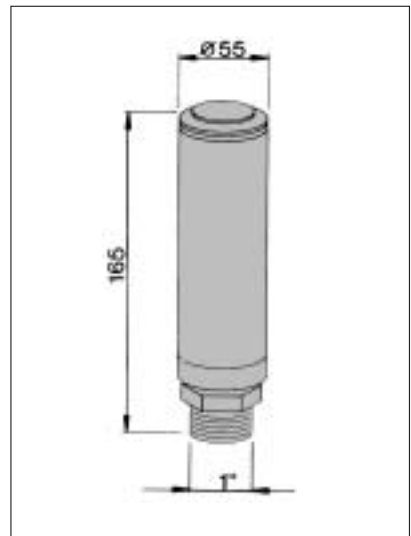
Model	Dimensions mm.					Weight kg
	A	B	C	P.L.	DNM	
VERSAILLES 160/8	144	231	425	Ø 1,5	1" 1/4	7
VERSAILLES 250/10	285	372	620	Ø 1,5	1" 1/4	7,8
VERSAILLES 250/12	285	372	620	Ø 1,5	1" 1/4	9,3



VULCANO



GAISER



CAMPANA

