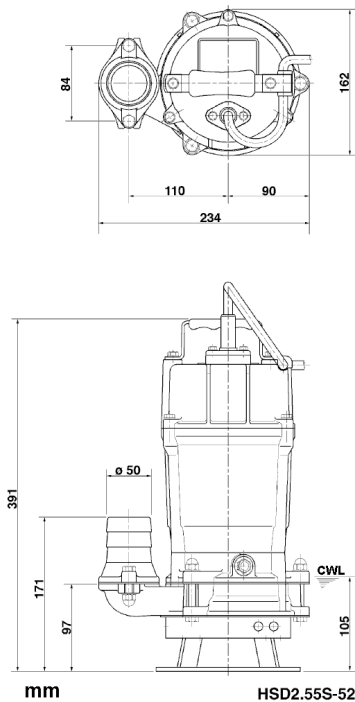
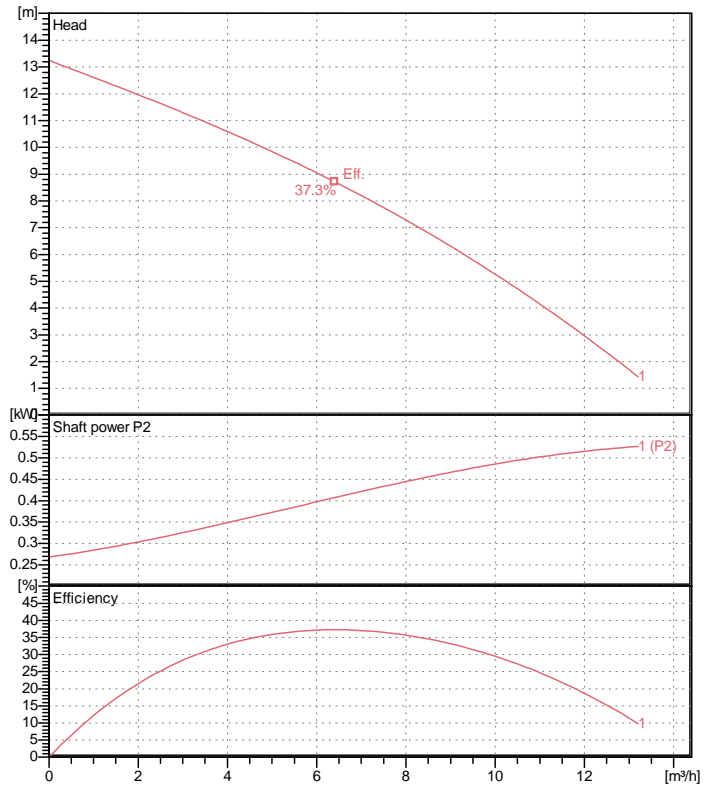


Data sheet HSD2.55S-52



CWL: Continuous running water level



Specification

Electric submersible pump
 Degree of protection IP 68
 Depth of submersion max. 20 m
 Type of impeller semi-vortex
 Max. solid handling 10 mm
 Suitable for:
 sand carrying water, sludge, bentonite

Electric motor

Dry-type submersible induction motor
 Insulation class E 2Poles 2830 1/min
 Starting mode Directly
 Rated voltage 230 V 50 Hz 1~
 Power uptake 0.82 kW
 Rated power 0.55 kW
 Rated current 3.6 A
 Start current 10.9 A

Cable

10m H07RN-F 3Cx1mm²

Motor Protection

Circle thermal protector
 (snap-action bi-metal device)

Shaft seal

Double inside mechanical seal in oil bath
 additional lubrication by oil lifting device

Primary seal
 Silicon carbide on silicon carbide
 Secondary seal
 Carbon on ceramic

Bearings

Shielded ball bearings, maintenance-free

Materials

Impeller	Chromium iron casting
Agitator	Chromium iron casting
Pump casing	FCD700 (EN-GJS-700-2)
Motor Frame	Aluminium die casting
Shaft	Stainless steel SUS403

Discharge size

2" (50mm) BS-Coupling (threaded flange)

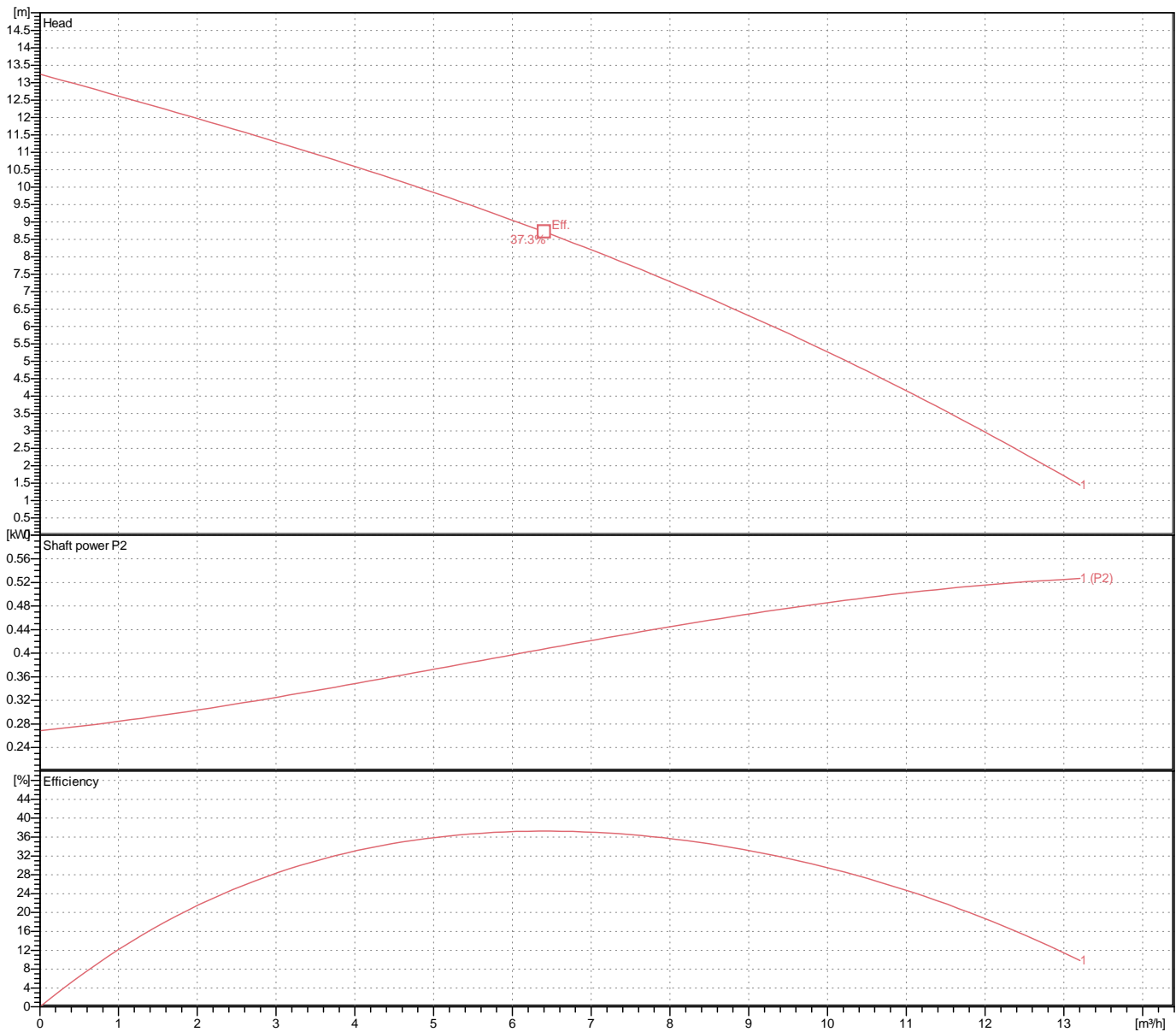
Weight

15 kg (dry weight of the pump only without cable)

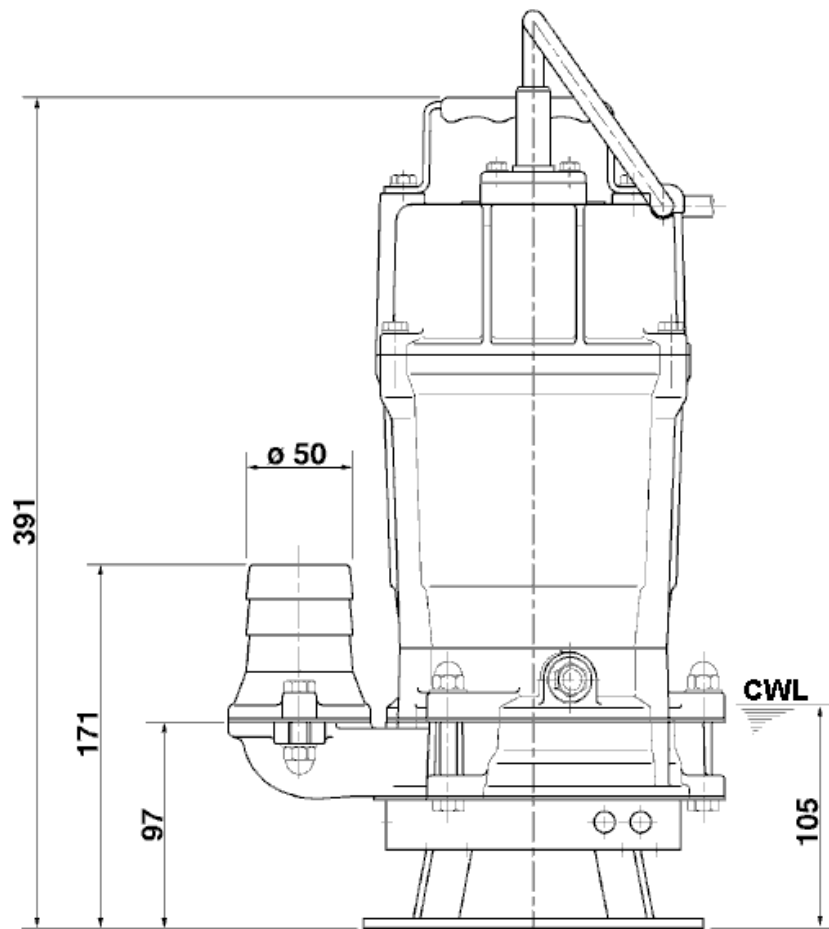
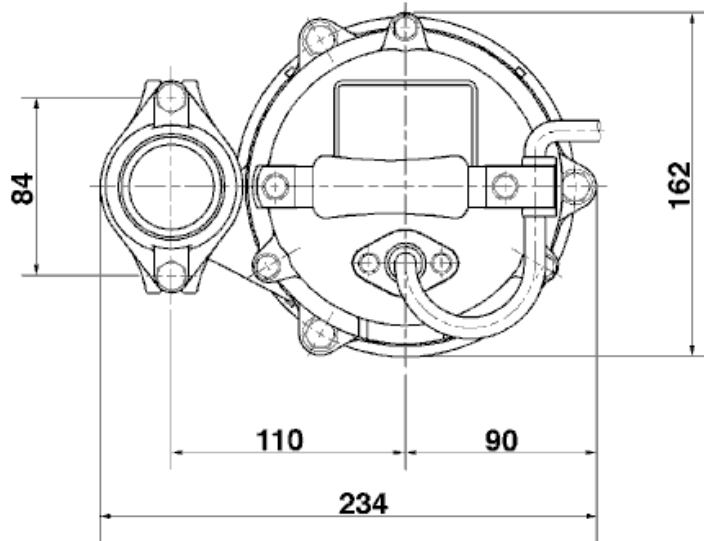
Performance curve

HSD2.55S-52

Discharge port	2"
Head	13.2 m
Flow	13.2 m ³ /h
Rated power	0.55 kW
Power input	0.82 kW
Phases	1~
Voltages	230 V
Frequency	50 Hz
Rated current	3.6 A
Starting current	10.91 A
Number of poles	2
Speed	2830 1/min
Starting mode	Directly
Insulation class	E



Dimensions HSD2.55S-52

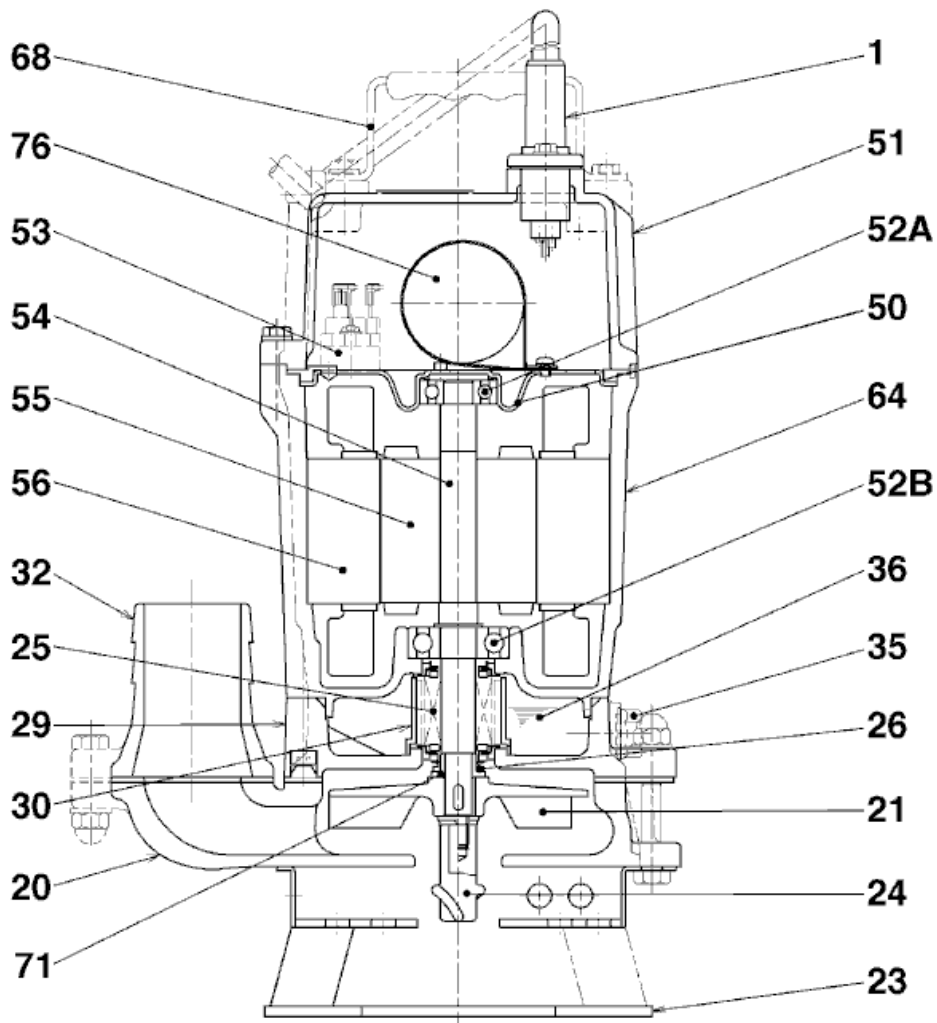


mm

HSD2.55S-52

CWL: Continuous running water level
LWL: Lowest running water level

Sectional drawing HSD2.55S-52



HSD2.55S-52

No.	Denomination	Remark	No.	Denomination	Remark
1	Cable	H07RN-F3Cx1mm=x10m	53	Motor Protector	.
20	Pump casing	FCD700 (EN-GJS-700-2)	54	Shaft	Stainless steel SUS403
21	Impeller	Chromium iron casting	55	Rotor	.
23	Strainer	SUS 1.0040 + steelplate	56	Stator	.
24	Agitator	Chromium iron casting	64	Motor Frame	Aluminium die casting
25	Mechanical seal	W-14VL	68	Handle	Steel plate / natural rubber
26	V-ring	Butadiene-acrylonitrile-rubber	71	Shaft protection sleeve	Stainless steel SUS304
29	Oil casing	FC200 (EN-GJL-200)	76	Condenser	.
30	Oil distributor	Plastic			
32	Pressure socket	Aluminium die casting			
35	Oil screw	Stainless steel SUS304			
36	Lubricant	Turbine oil (ISO VG32)			
50	Motor cover	Aluminium die casting			
51	Main cover	Aluminium die casting			
52A	Upper bearing	6201ZZC3			
52B	Lower bearing	6302ZZC3			